

Applied to laboratory and outdoor on-site environments

T3000A

10 GIGABIT ETHERNET TESTER

Provide a complete testing solution for the next generation network,
Test suite with multiple functions,
It is an on-site testing tool for activating and verifying network performance



Can provide various testing functions simultaneously

NEW UPGRADE FULLY FUNCTIONAL



TOUCH SCREEN



PC REMOTE CONTROL



ONLINE TESTING



TEST REPORT



ETHERNET TEST



LARGE CAPACITY
LITHIUM BATTERY

- Supports 2 10/100/1000BASE-T RJ45 ports and 2 100/1000BASE-X SFPs Optical port and 2 10GE SFP+optical ports
- Capable of generating 10M~10GB/S traffic and supporting LAN/WAN mode
- Supports layer 1-4 error rate testing
- Supports up to 16 business traffic generation for multi-service testing
- Supports standard RFC2544 testing
- Support standard Y.1564 testing
- Support for OAM testing (optional)
- Support VLAN testing, priority configuration, and VLAN Q-IN-Q testing
- Support MPLS testing and Level 3 MPL S nested testing
- Support measurement of business service interruption time
- Support COS and TOS/DSCP business priority testing
- Capable of capturing and analyzing various data packets
- Support intelligent detection and remote loopback testing

Graphical and numerical display of test results

7 INCHES

HIGH RESOLUTION TOUCH SCREEN

Excellent innovative ergonomic design, easy to carry

Touch screen+buttons

Intelligent navigation menu
Easy to operate and understand

Simple and flexible

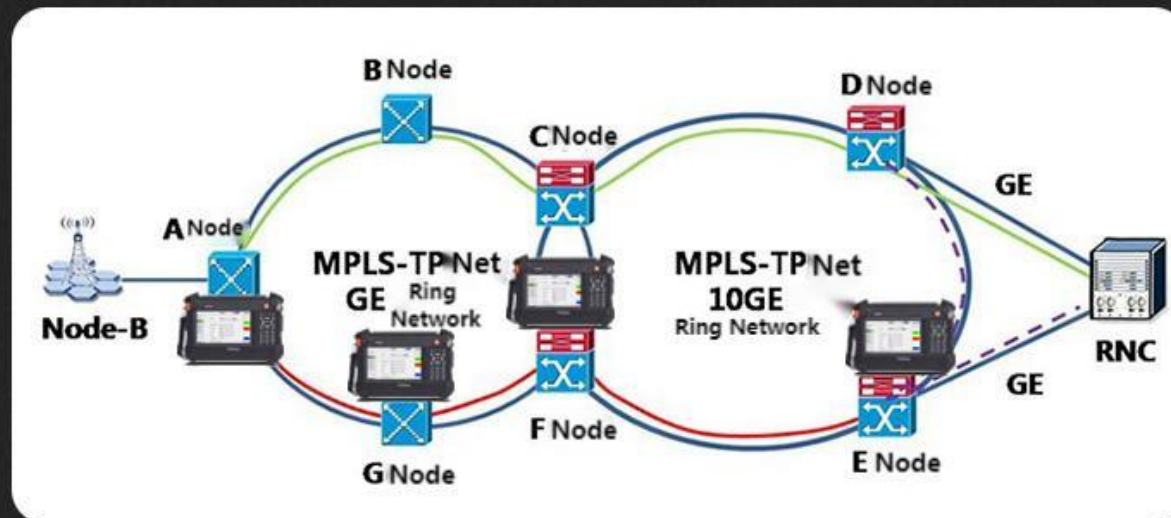
Easy for operators to understand
Current working status



Provide intelligent detection and remote control

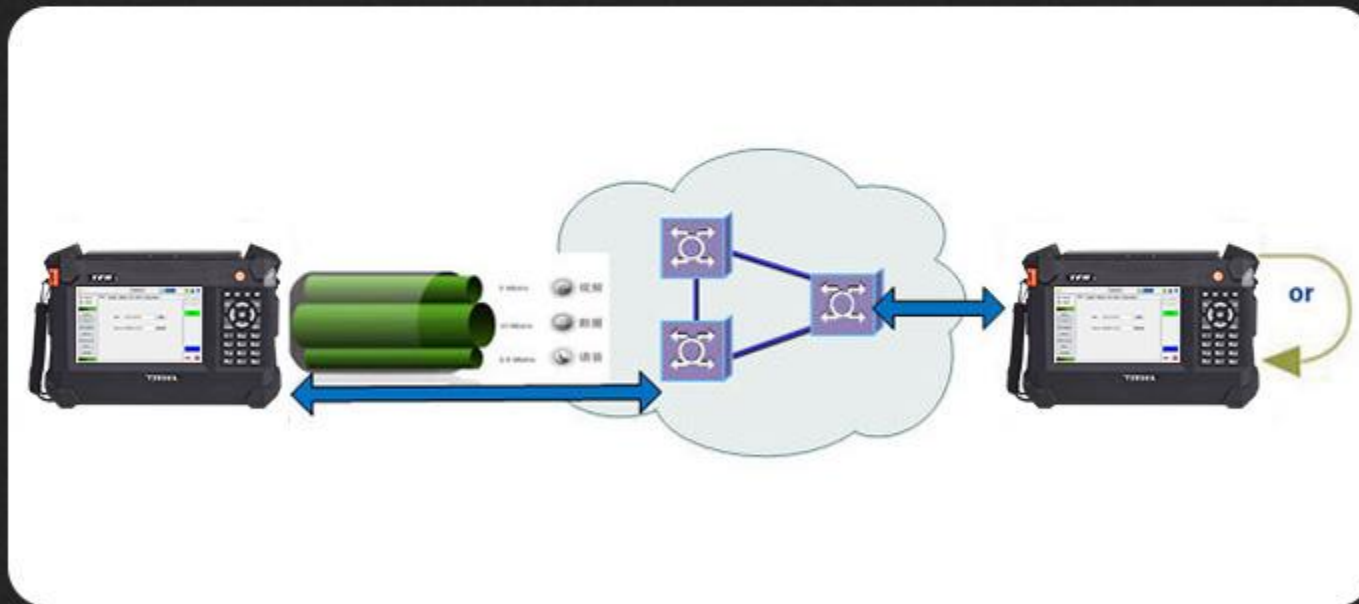
IMPLEMENT ONLINE TESTING

Independently scan the tested network and discover available T3000A devices,
And send remote control data through the test port,
Add it to the testing system to complete the testing



MULTI BACKGROUND DATA FLOW GENERATION AND ANALYSIS

Suitable for verifying the long-term integrity of Ethernet circuits in Ethernet frame environments.
This test provides throughput information, frame loss, and other error information to confirm whether the provided Ethernet service meets the specification requirements



Generate test report

TEST CONFIGURATION FILE IMPORT EXPORT



8G memory

Large storage capacity



Long endurance

BUILT IN HIGH CAPACITY LITHIUM BATTERY

BUILT IN HIGH CAPACITY LITHIUM BATTERY
LONG ENDURANCE

4 hour
CONTINUOUS
TESTING



PARAMETER INTRODUCTION



Display 7-inch TFT color touch screen 960 X 480

Interface USB 2.0 port; RJ-45 LAN

Storage capacity 8GB

Battery Rechargeable lithium battery with continuous working time greater than 4 hours

Power Supply AC/DC adapter, input: 100-240AC, 50/60Hz, Maximum current: 2S; Output: 24V DC 90W

Size (mm) 282X 186X75

Weight (Kg) 2.9Kg

language Chinese, English

CONFIGURATION LIST



STANDARD CONFIGURATION:
Host, battery, software CD, AC adapter, portable bag,
warranty card, quick operation manual